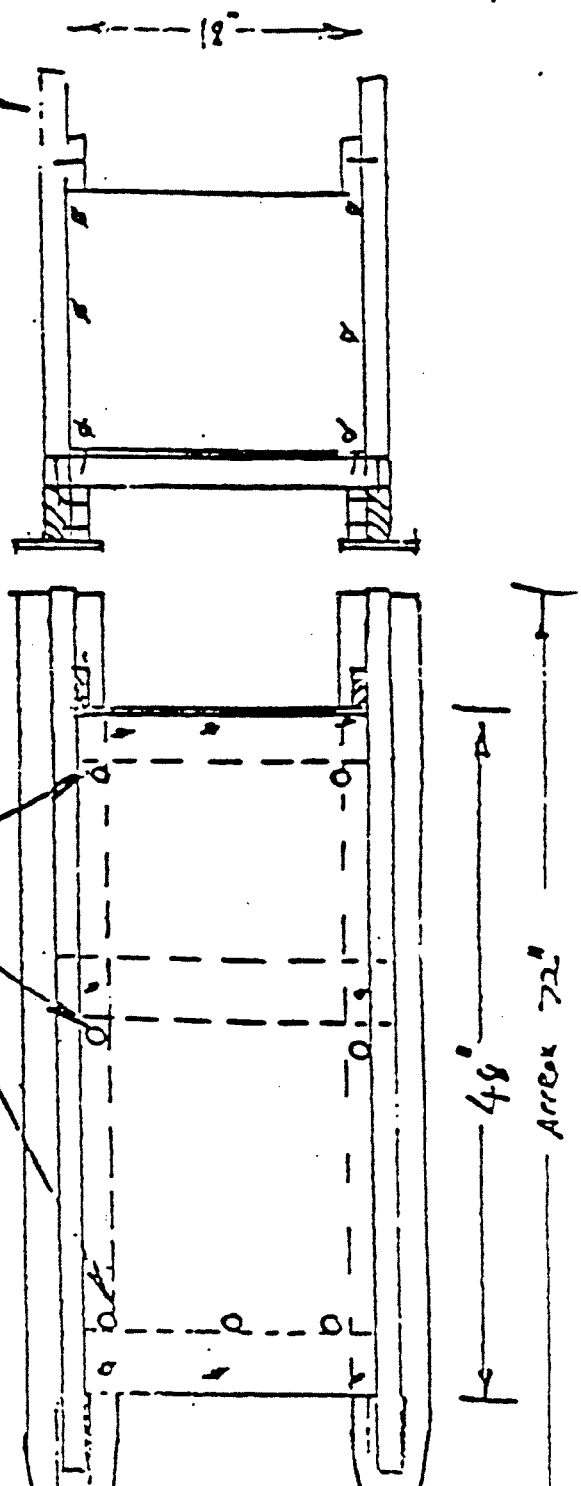
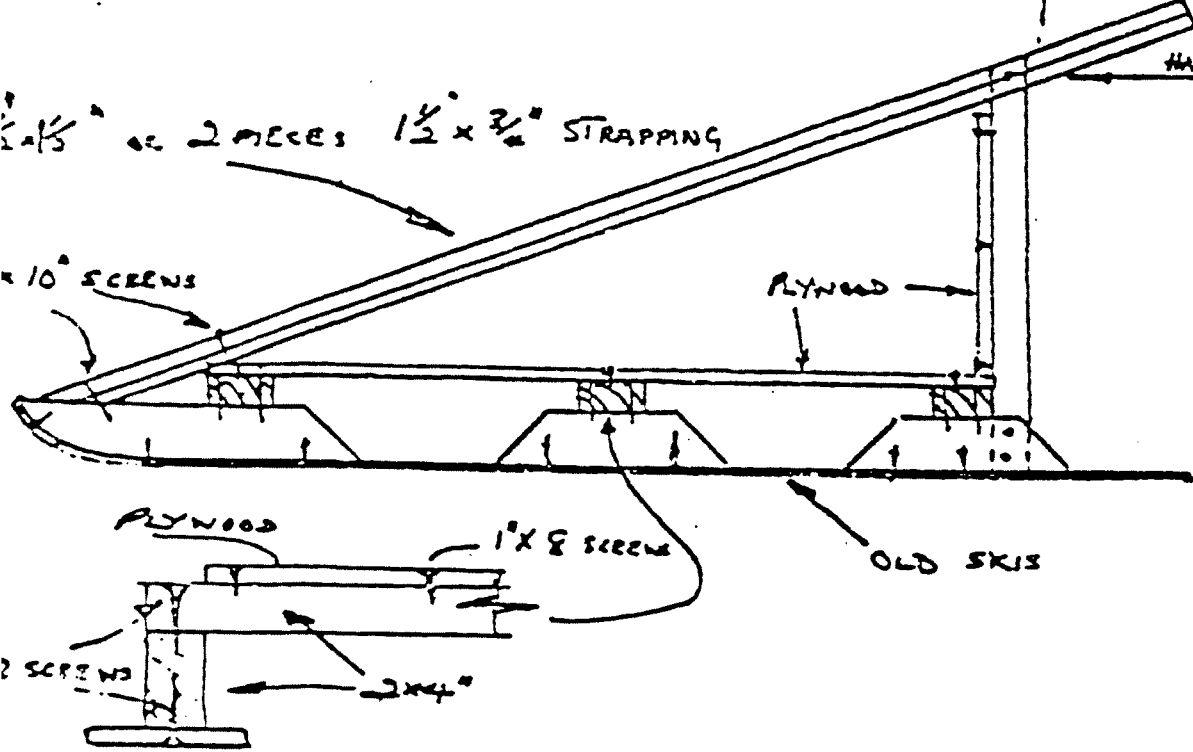


AGENCY RESCUE MISSION SLED



- LIST OF MATERIALS (APPROX)
- 2 OLD SKIS
 - 6 PIECES 2x4 APPROX 12" LONG
 - 3 PIECES 2x4 APPROX 21" LONG
 - 2 PIECES 1 1/2 x 1 1/2" OR (2 PIECES 1 1/2 x 3/4") STRAPPING
 - 1 PIECE PLYWOOD 18" x 48"
 - 1 PIECE PLYWOOD 18" x 18"

SUGGEST SCREWS BE USED INSTEAD OF NAILS
 APPROX TIME REQUIRED TO BUILD 8-10 HOURS
 APPROX WEIGHT 40 LBS

TIE DOWN HOLES
 3/4" DIAM.